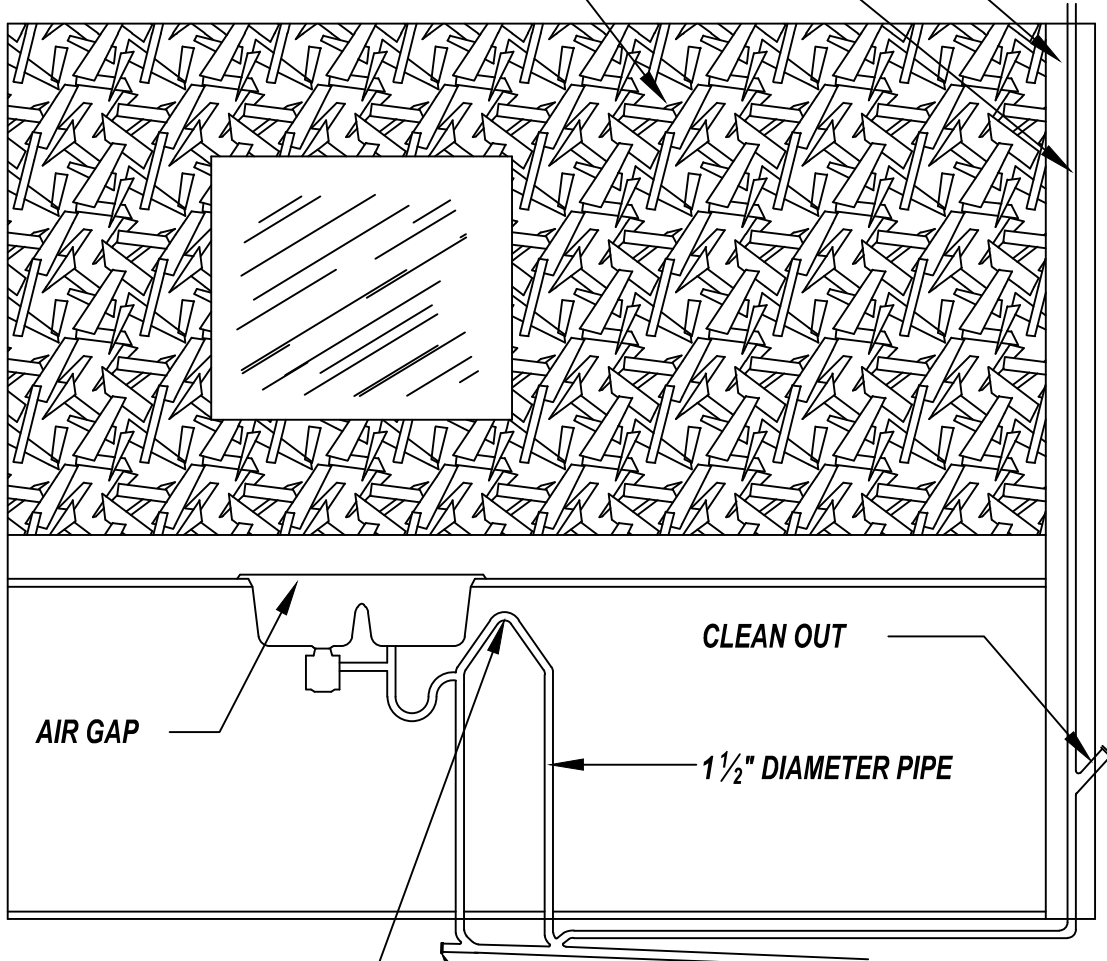


INTERIOR WALL

CONNECT VENT TO OTHER VENTS OR VENT THROUGH ROOF

LAMIT WALL PANEL



AIR GAP

CLEAN OUT

1 1/2" DIAMETER PIPE

LOCATE 90 DEGREE ELBOW AS HIGH AS POSSIBLE INSIDE CABINET

NO FIXTURES UPSTREAM (ONLY CLEAN OUT)

NOTE: CONSULT LOCAL BUILDING CODES FOR ACCEPTANCE

ISLAND VENT INSULATION

DETAIL NUMBER:

1311

SCALE : NTS

Updated: 2/22/2017

LAMIT INDUSTRIES

**STRUCTURAL INSULATED PANELS
FOR THE BUILDING INDUSTRY**