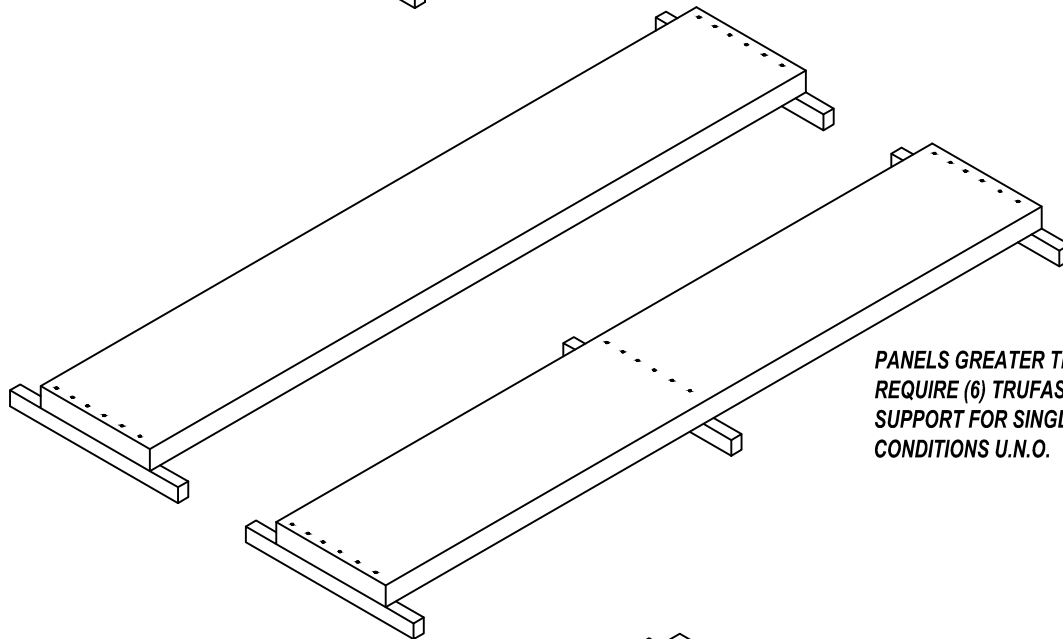
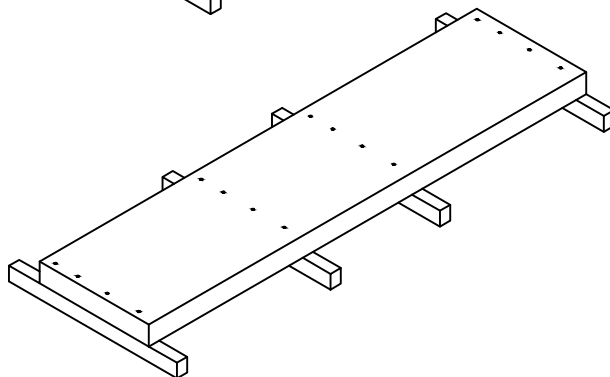


PANELS UP TO 16'-0" LONG REQUIRE (4) TRUFAST SCREWS PER SUPPORT FOR SINGLE AND TWO SPAN CONDITIONS U.N.O.

NOTE: ALL PANELS ARE SHOWN 4' WIDE.



PANELS GREATER THAN 16'-0" LONG REQUIRE (6) TRUFAST SCREWS PER SUPPORT FOR SINGLE AND TWO SPAN CONDITIONS U.N.O.



PANELS ANY LENGTH WITH MULTIPLE SPAN CONDITIONS REQUIRE (4) TRUFAST SCREWS PER SUPPORT U.N.O.

# ROOF FASTENING PATTERNS

DETAIL NUMBER:

**1407**

**SCALE : NTS**

**Updated: 3/17/2017**

# LAMIT INDUSTRIES

STRUCTURAL INSULATED PANELS  
FOR THE BUILDING INDUSTRY