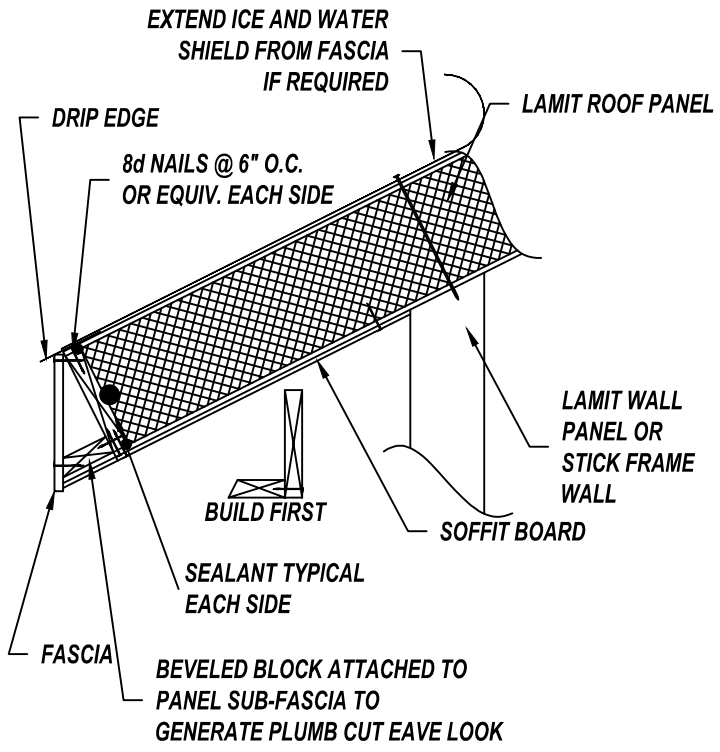
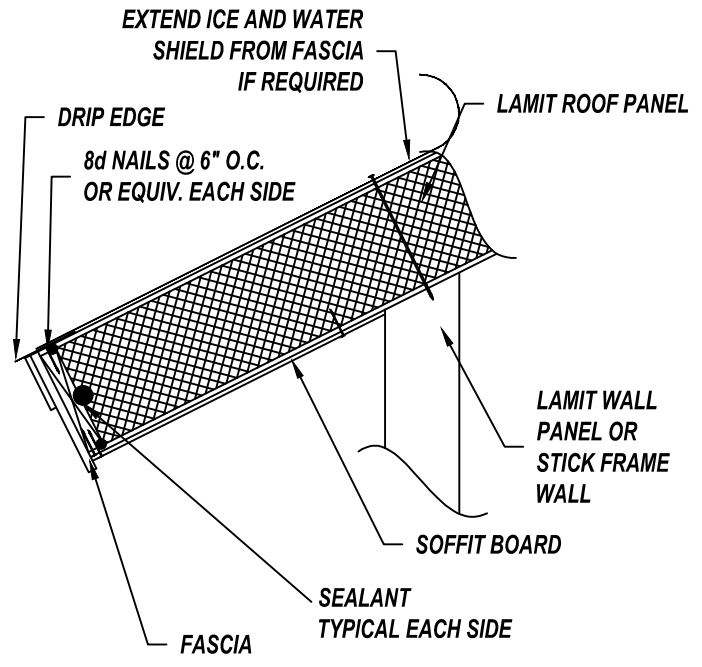


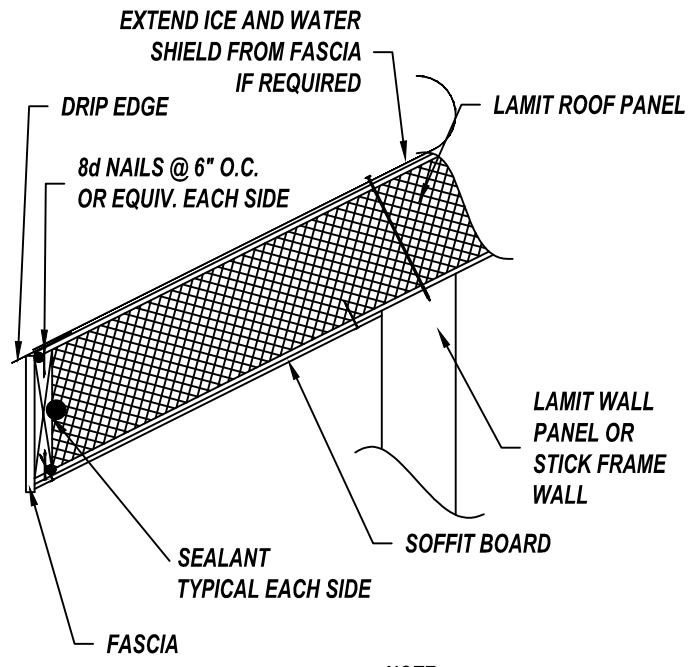
A



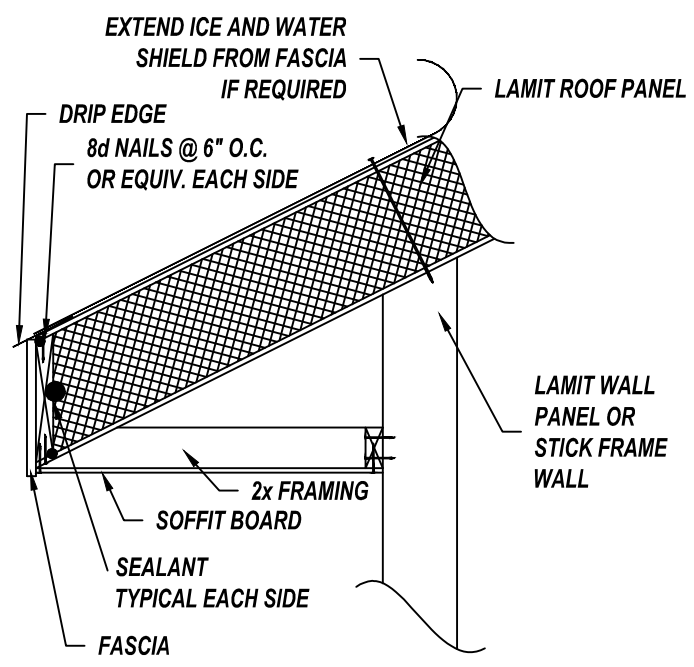
B



C



D



NOTE:
- SEE LOAD DESIGN CHARTS FOR
MAXIMUM OVERHANG.

EAVE DETAILS

DETAIL NUMBER:

1401

SCALE : NTS

Updated: 2/22/2017

LAMIT INDUSTRIES

STRUCTURAL INSULATED PANELS
FOR THE BUILDING INDUSTRY